

ELECTRIC VALVES

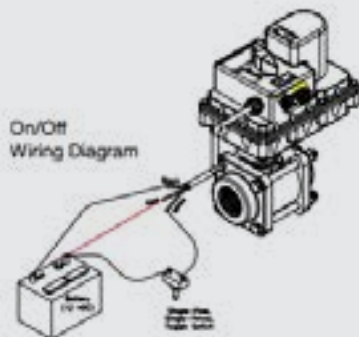
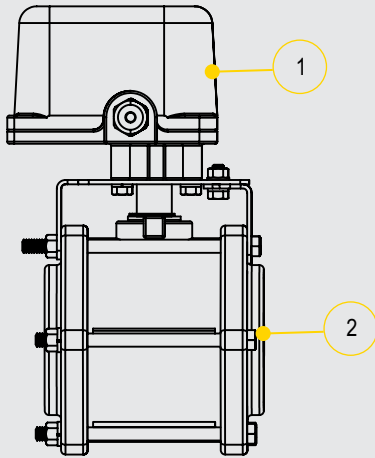
3" FULL PORT THREADED

FEATURES

- 316 stainless steel ball & stem
- Stainless steel hardware
- Fiberglass reinforced polypropylene
- PTFE seats
- FKM O-rings
- 12-volt DC operated
- 24-volt available in most models
- Easily repairable
- Open/closed indicator
- EV300FP has 3 second response
- EV300FP110 has 9 second response

REPAIR KIT INCLUDES:

1. Stem with Seals
2. Gasket
3. Body O-Ring
4. Ball Seals



3" FULL PORT ON/OFF ELECTRIC VALVE

PART NO	DESCRIPTION	MAX PSI	PIPE SIZE	OPENING THRU BALL	QTY
EV300FP	3" FULL PORT ELECTRIC VALVE 3 WIRE	200	3"	3"	1

3" FULL PORT ON/OFF ELECTRIC VALVE

PART NO	DESCRIPTION	MAX PSI	PIPE SIZE	OPENING THRU BALL	QTY
EV300FP110	3" FULL PORT ELECTRIC VALVE WITH 110 VOLT AC 3 WIRE	200	3"	3"	1

REPLACEMENT PARTS

ITEM	PART NO	DESCRIPTION	QTY
1	VE5630	3 SECOND, 12 VDC MOTOR (EV300FP)	1
1	VE5630	9 SECOND, 110 VOLT AC MOTOR (EV300FP110)	1
2	EV300XR1A	3" ELECTRIC VALVE ONLY	1
KIT	EV35210	REPAIR KIT	1

Note: 4 wire regulating and 110 Volt AC, 9 seconds response times available. Contact our sales team for part number and availability of valves.